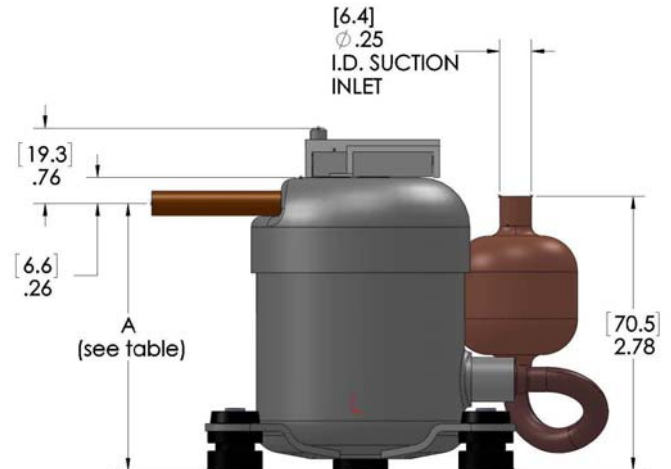
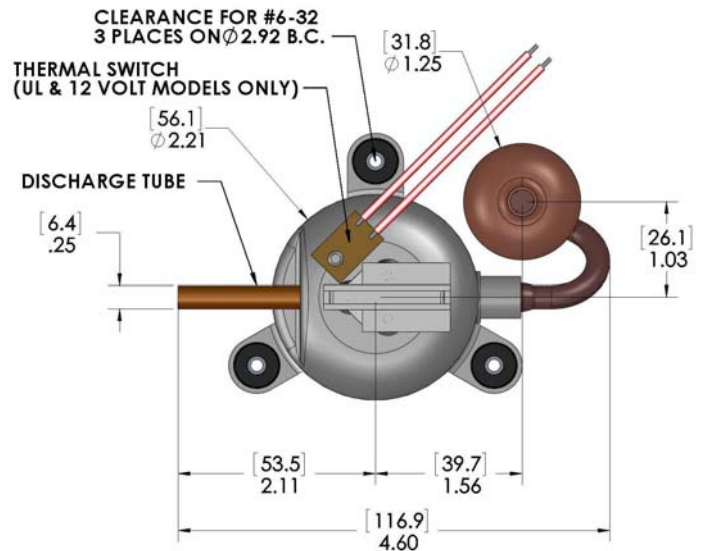


ASPEN Miniature Rotary Compressor



Refrigerant	HFC-134a / HFC-404a
Oil Type	POE RL 68H
Oil Quantity	Factory Charged With 21cc's of Emkarate RL68H POE Oil
Motor	Brushless DC
Speed Range	2100 – 6500 RPM
Evaporator Temperature Range	0–75°F (-18–24°C)
Condenser Temperature Range	80–160°F (27–71°C)
Max Discharge Temp.	265°F (130°C)
Max Compartment Temp.	130°F (54°C)
Suction Port Size	0.25" ID Cup
Discharge Port Size	0.25" OD Tube
Motor Drive Type	Sensorless
Analog Voltage Speed Command (Linear)	0 - .6 VDC = OFF .70 VDC = ~2100 RPM 4.5 VDC = ~6500 RPM
HFC-134a Cooling Capacity	ASHRAE Conditions
*1.4cc	360 watts / 1230 Btuh
1.9cc	455 watts / 1550 Btuh

* 12 volt compressor capacity will be less at these conditions



Application Notes:

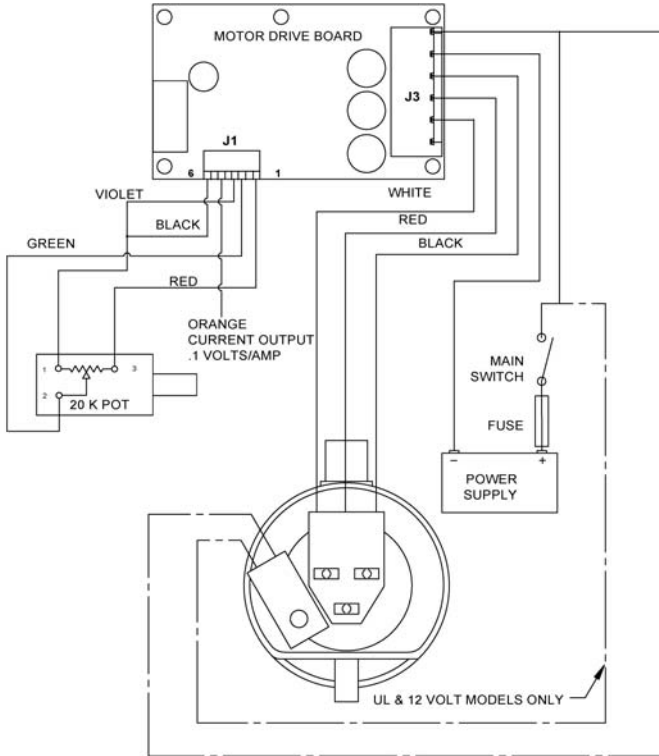
1. Drive Board must not be subject to corrosive or wet environments. Drive board is thermally protected, however continuous airflow over the drive board and heat sink is recommended.
2. Compressor is supplied with 21cc's of Emkarate RL68 POE oil. Additional oil may be required if operating compressor in systems with large internal volumes or areas that oil will gather prior to being returned to the compressor

Ordering Information

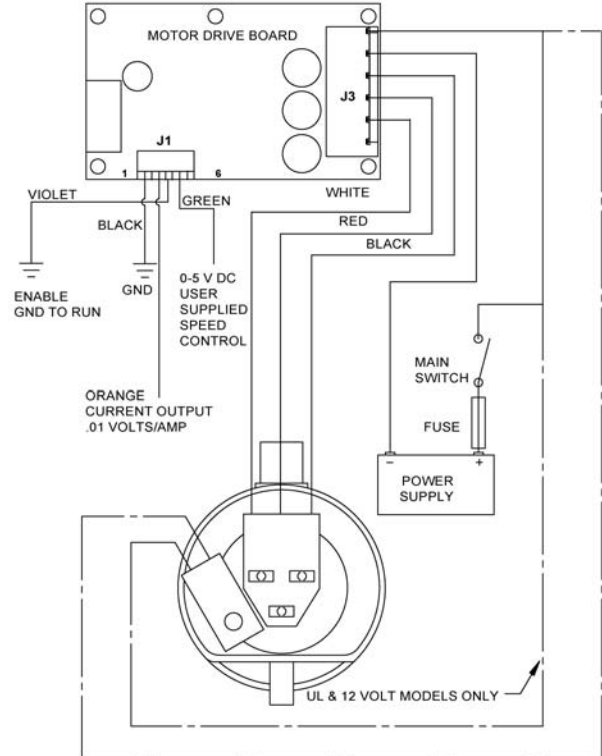
Model #	Displacement	Voltage Range	**Max Continuous Current	Weight g / oz	Height "A": mm / in	Agency Approvals
14-12-1101	1.4 cc	11-16 Vdc	9.5 Amps	590 g / 21oz	[66.8] / 2.63	
14-24-1101	1.4cc	20-30 Vdc	9.5 Amps	590 g / 21oz	[66.8] / 2.63	
14-24-1111	1.4cc	20-30 Vdc	9.5 Amps	590 g / 21oz	[66.8] / 2.63	UL
19-24-1111	1.9cc	20-30 Vdc	9.5 Amps	680 g / 24oz	[68.8] / 2.71	UL
19-24-1101	1.9cc	20-30 Vdc	9.5 Amps	680 g / 24oz	[68.8] / 2.71	
19-48-1101	1.9cc	43-60 Vdc	7.0 Amps	680 g / 24oz	[68.8] / 2.71	

** Max current is automatically regulated by the compressor control board

ASPEN Control Board & Wiring Diagram



Wiring Option 1
(User supplied potentiometer)



Wiring Option 2
(User supplied speed input voltage)

Note – Aspen recommends the use of a 10 amp inline fuse with all compressor installations. Littlefuse # 0312010 or equivalent.

