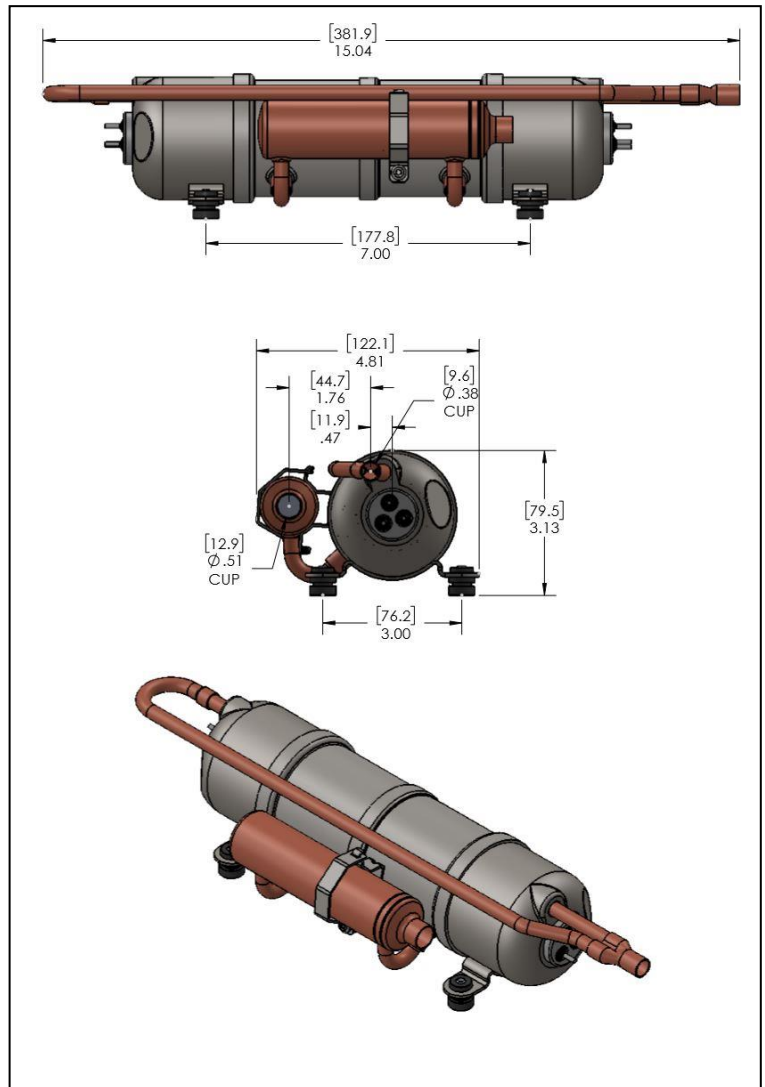


Horizon Series Model, H76: Low Height / Low Vibration / Low Noise Horizontal, Rotary BLDC Refrigeration Compressor

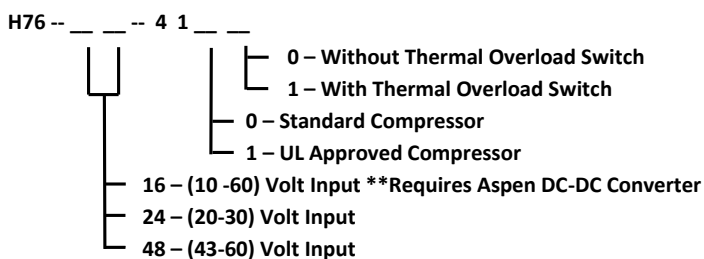
Worldwide patents pending



Compressor Specifications	
Refrigerant	R134a / R404a / R410a / R290 / R600a / R1234YF
Oil Type	Emkarate POE RL 68H
Oil Quantity	Factory Charged
Motor / Drive	BLDC Sinusoidal & Sensorless
Speed Range	1200 – 6500 RPM
Evaporator Temp. Range	-22~75°F (-30~24°C)
Max Condensing Temp.	160°F (71°C)
Max Discharge Temp.	212°F (100°C)
Max Ambient Temp.	120°F (49°C)
Max Dome Temp.	212°F (100°C)
Max Operating Pressure	350 psi (2.4 MPa)
Suction Port Size	1/2" ID Cup
Discharge Port Size	3/8" ID Cup
Cooling Capacity-ASHRAE T	R-134a - 1820 W
Noise Level @ 1 meter	~ 40 dBA
Weight	~ 3200g



Compressor Ordering Guide



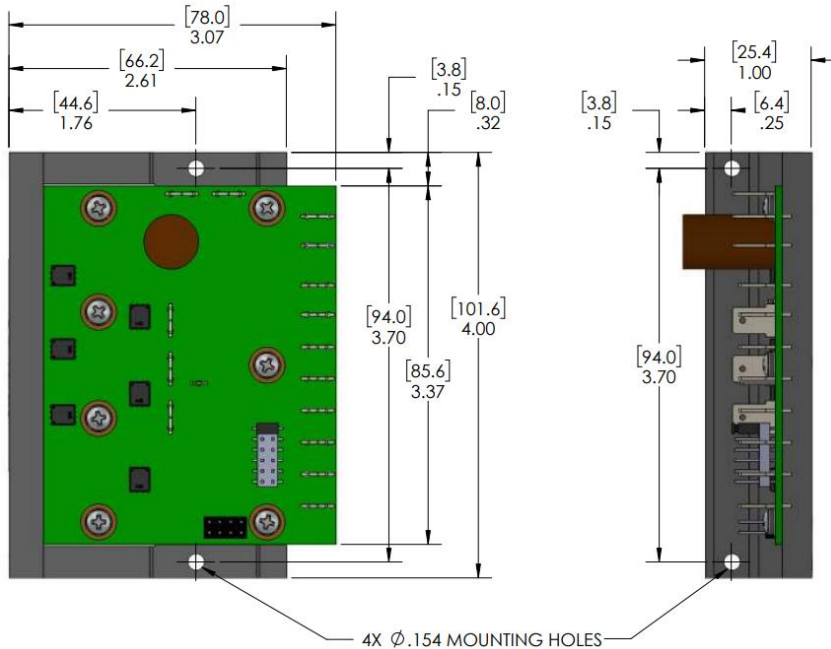
Sample Order # H76 - 24 - 4101
Description – 7.6cc Compressor
(20-30) Volt Input
Standard Compressor
With Thermal Overload Switch

Compressor Application Notes:

1. Compressor is supplied with Emkarate RL68 POE oil. Addition oil will be required if operating compressor in systems with long tubes, large heat exchangers or internal surfaces that can trap oil and prevent adequate return to the compressor.
2. Recommended airflow over compressor is 1 meter/sec.

ASPEN Quiet Sinusoidal BLDC Drive & DC-DC Converter

Universal Quiet Sinusoidal Drive

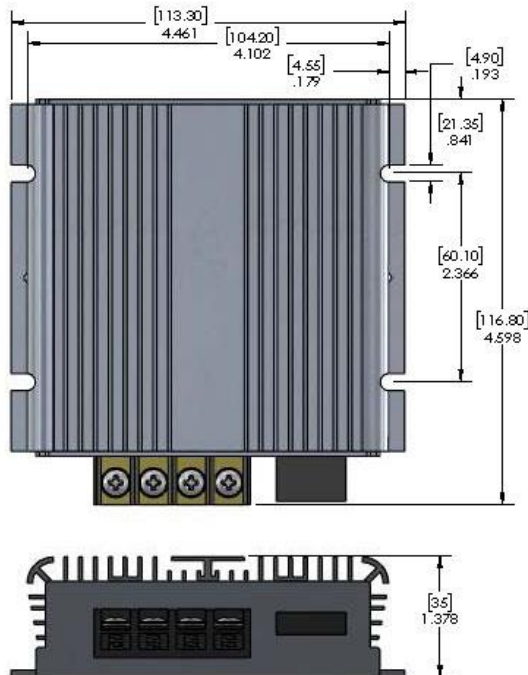


Drive Board Options

Input Voltage	Max Current
20-30V	30A
43-60V	20A
10-60V**	20-80A**

Requires use of Aspen DC-DC Converter in conjunction with Compressor Drive. Max current based on voltage input

DC-DC Converter



Compressor Drive & Converter Application Notes:

1. Drive Board is conformally coated, however, care should be taken to prevent operation in corrosive or wet environments. Drive board is thermally protected, however, airflow over the drive board/ converter and heat sink is highly recommended.
2. Maximum current to the compressor is automatically limited by the drive board by reducing the compressor speed as the current approaches set limits.